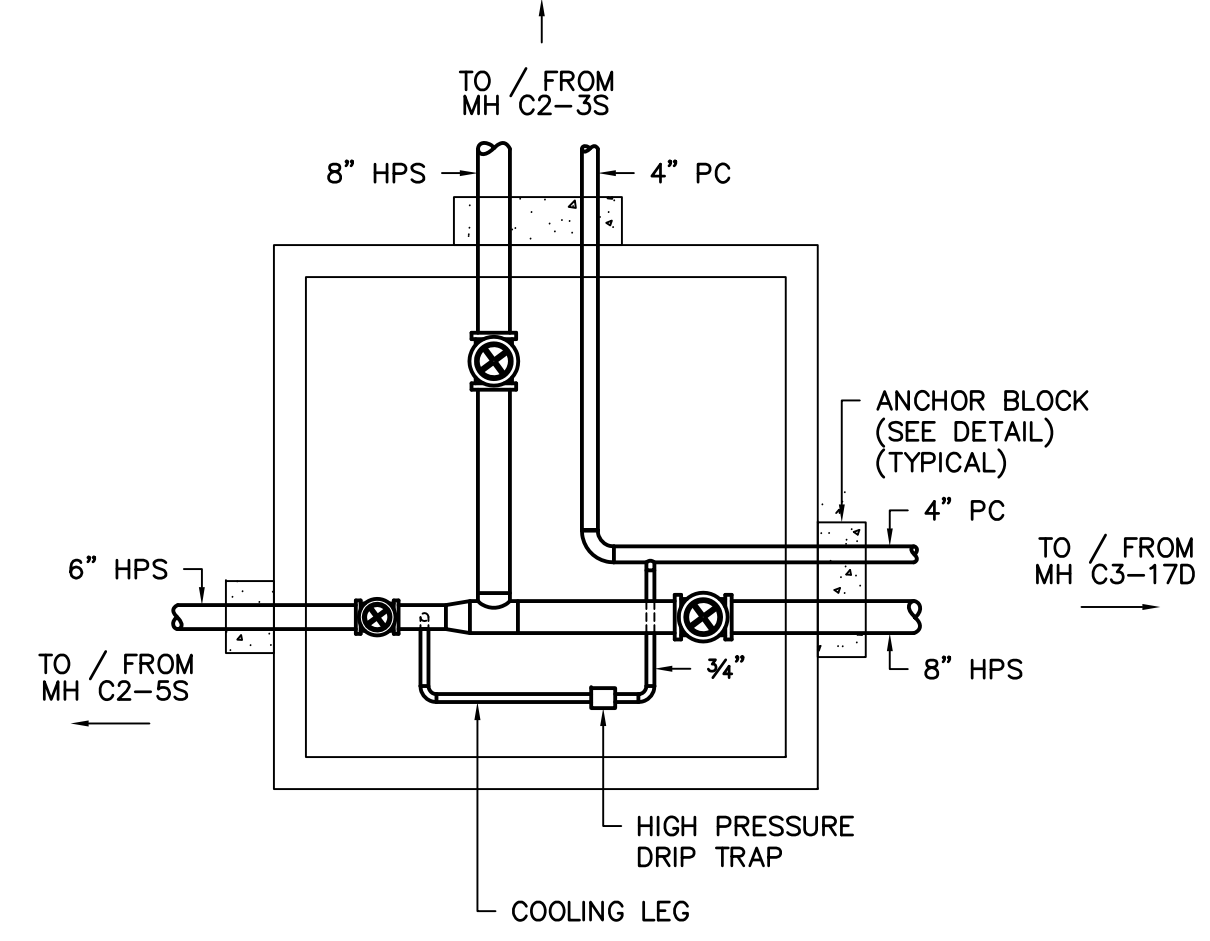


SEAL	CHECKED BY:	WCL	ORIG. BY:	DATE	DEM. DATE	DRAWN BY:	DATE	DESCRIPTION

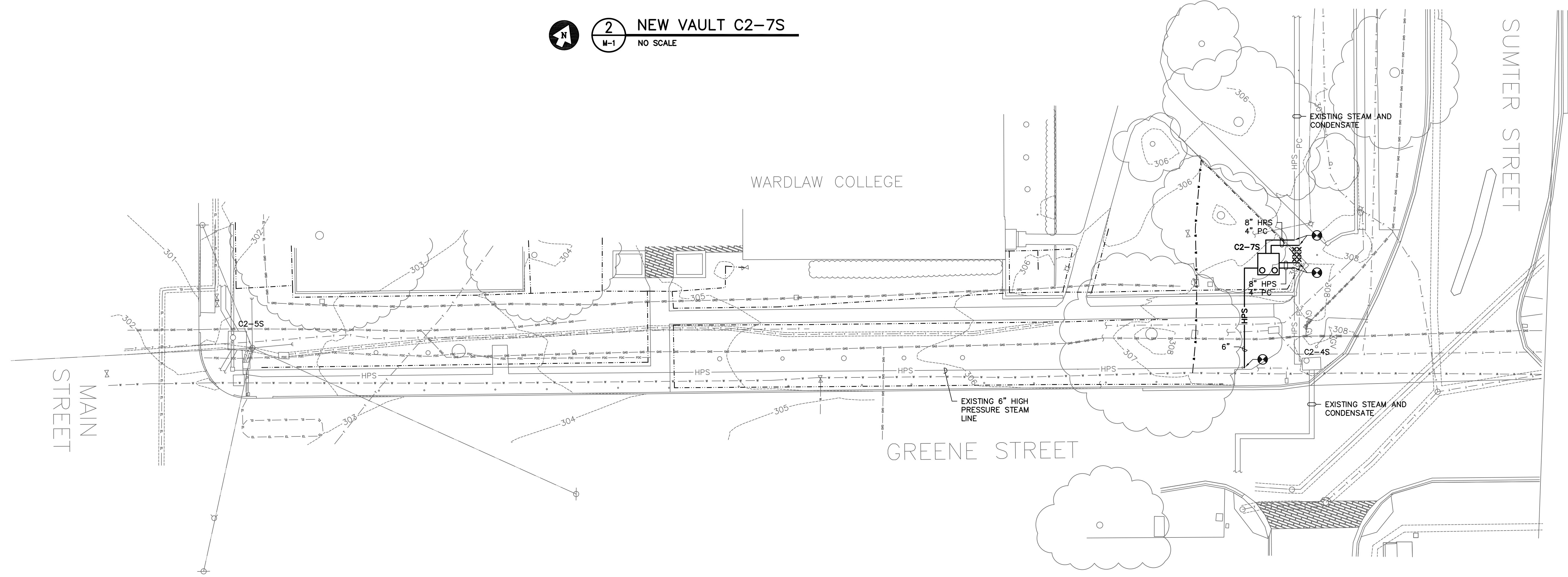
PROJECT TITLE: UTILITY INFRASTRUCTURE REPAIRS - 2012 WORK
COLUMBIA CAMPUS - SP# H27-6043-NA-B

SHEET: M-1
OF
SHEET IN SET:

University of South Carolina



2 NEW VAULT C2-7S
NO SCALE



1 SITE PLAN - RENOVATION
SCALE: 1" = 20'



Swygert & Associates
CONSULTING ENGINEERS
DBA Swygert & Assoc., Ltd. Telephone: (803) 791-9300
Post Office Box 11886 Fax: (803) 791-9830
Columbia, S.C. 29211 mail@swygert-associates.com